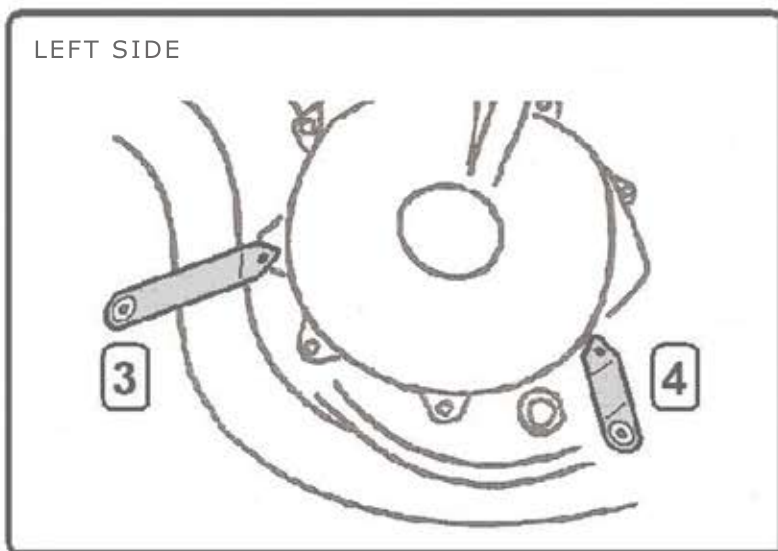


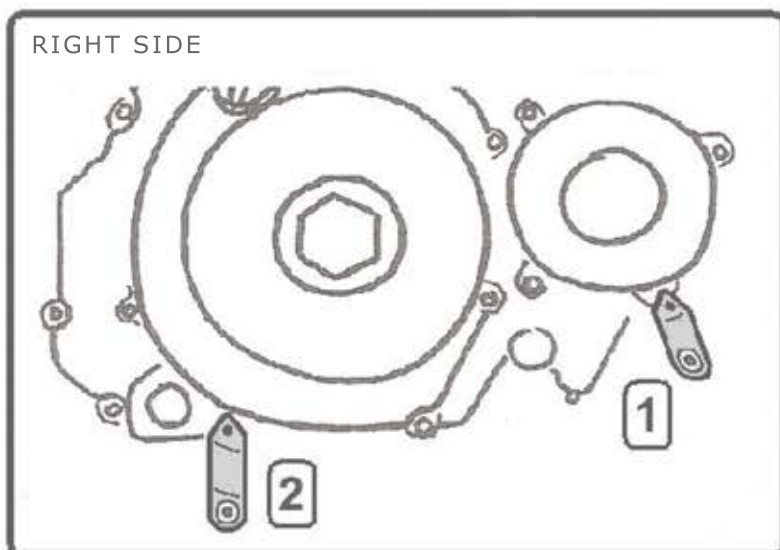
**MOUNTING PROCEDURE****KIT ENGINE SPOILER  
SUZUKI GSR 600****SG6 PUNTALE  
NO PAINT-POLISH BLACK-SILVER**[WWW.BARRACUDAMOTO.COM](http://WWW.BARRACUDAMOTO.COM)**KIT**

X4 SPECIFIC BRACKET  
X4 SCREW 5X16  
X4 WASHER DIAMETER 5  
X4 RUBBER WASHER  
X1 BARRACUDA SPOILER

LEFT SIDE



RIGHT SIDE



FIND THE FIXING POINTS

REMOVE THE SCREWS FROM THE CARTER

MOUNT THE BRACKETS WITH THE WASHER  
ALREADY REMOVEDUSE THE RUBBER WASHERS BETWEEN THE  
BRACKET AND THE ABS ENGINE SPOILER FOR  
ALL THE FIXING POINT

FIX THE ABS ENGINE SPOILER WITH ITS SCREWS KIT 4X10, WASHERS AND NUTS.  
APPROACH THE ENGINE SPOILER TO THE MOTORBIKE TO FIND THE FIXING POINT ; MOUNT THE SPECIFIC BRACKETS USING THE ORIGINAL SCREWS OF CARTER WITHOUT LOCKING (SEE THE PICTURES); MOUNT THE ENGINE SPOILER ON THE BRACKETS USING THE 5X16 SCREWS AND THE RUBBER WASHERS BETWEEN THE ENGINE SPOILER AND THE BRACKET.  
LEAVE A COMFORTABLE MARGIN BETWEEN THE COLLECTORS AND THE ABS TO AVOID FUSIONS.  
LOCK THE SCREWS